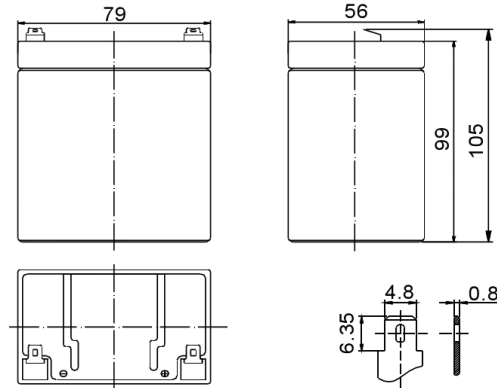


TECHNICAL DATA SHEET

DAS12-2.9

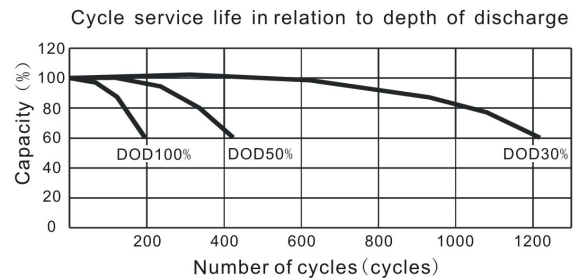
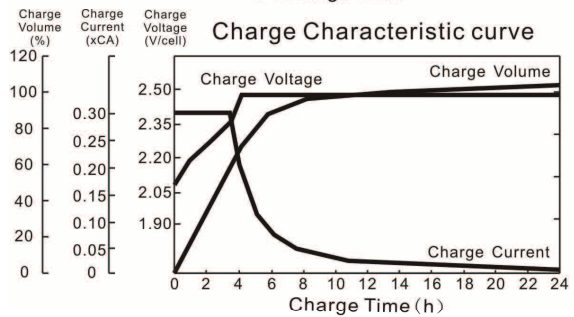
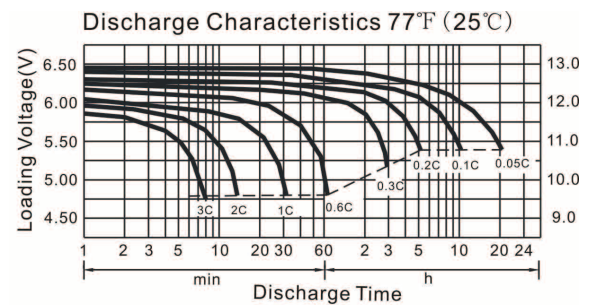


Specifications

Nominal Voltage		12V
Rated Capacity 77°F(25°C) (20HR)		2.9Ah
Dimensions (mm/inch)	Length	79 (3.11)
	Width	56 (2.20)
	Height	99 (3.90)
	Total Height	105 (4.13)
Approx. Weight (kg/lbs)		1.1 (2.43)
Terminal		T1

Characteristic

Capacity 77°F(25°C)	20HR (0.145A)	2.90Ah
	10HR (0.270A)	2.70Ah
	5HR (0.493A)	2.47Ah
	1HR (1.769A)	1.77Ah
	15 min rate (5.37A)	1.34Ah
Internal Resistance	Full Charged Battery 77°F(25°C)	Approx. 42mΩ
	104°F(40°C)	102%
Temperature dependence of capacity (20HR)	77°F(25°C)	100%
	32°F(0°C)	85%
	5°F(-15°C)	65%
	Self-Discharge 68°F(20°C) (Capacity after)	3 months
	6 months	80%
	12 months	60%
Max. Discharge Current, 77°F(25°C)		44A(5s)
Floating design life, 77°F(25°C)		5 years
Constant Voltage Charge, 77°F(25°C)	Cycle	14.5~14.9V(-24mV/°C) max. current: 0.87 A
	Float	13.6~13.8V(-18mV/°C)



Constant Current Discharge Characteristics (A), 77°F(25°C)

F.V/TIME	5min	10min	15min	30min	60min	2H	3H	5H	8H	10H	20H
1.60V/cell	11.02	6.96	5.37	2.90	1.83	1.035	0.757	0.510	0.339	0.278	0.149
1.70V/cell	10.47	6.61	5.12	2.77	1.77	0.995	0.740	0.502	0.336	0.276	0.147
1.75V/cell	10.27	6.47	5.03	2.71	1.74	0.977	0.725	0.493	0.331	0.270	0.146
1.80V/cell	10.06	6.32	4.94	2.66	1.71	0.960	0.713	0.484	0.328	0.267	0.145

Constant Wattage Discharge Characteristics (Watt), 77°F(25°C)

F.V/TIME	5min	10min	15min	30min	60min	2H	3H	5H	8H	10H	20H
1.60V/cell	20.01	12.76	9.92	5.41	3.45	1.966	1.450	0.986	0.664	0.548	0.295
1.70V/cell	19.20	12.24	9.56	5.22	3.36	1.905	1.430	0.977	0.661	0.545	0.293
1.75V/cell	18.99	12.06	9.47	5.15	3.33	1.891	1.415	0.968	0.655	0.539	0.292
1.80V/cell	18.79	11.92	9.39	5.10	3.30	1.870	1.404	0.960	0.650	0.534	0.290