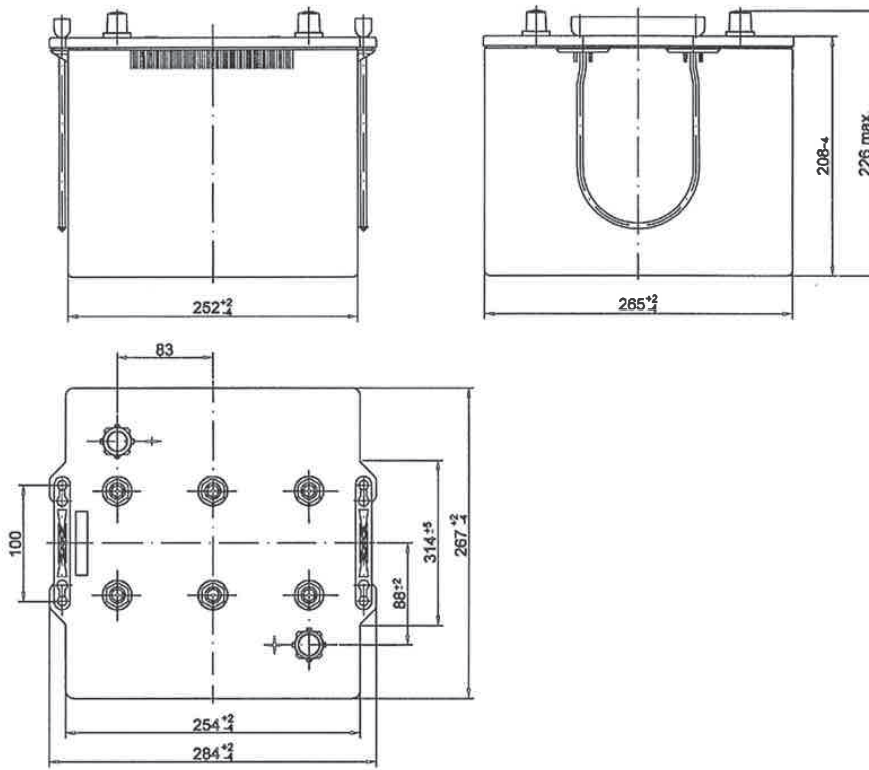


TECHNICAL DATA SHEET

DGY12-110DEV



PERFORMANCES		CONTAINER	
Voltage (V):	12 V	Type:	D07 GREY MEDIUM
C20 (Ah):	110.0 20 h	Hold Down:	B0
Rc (min):	0	H. D. Adapter:	No
Cranking (A):	760 EN	COVER	
Vibration:	V3 (35Hz/6g/20h)	Type:	Flat/Screw GREY MEDIUM
Endurance:	250 cycles@100%	Polarity:	ETN 2
Charge:	CHARGED	Terminals:	EN taper post
Technology:	GEL	Terminal Adapter:	No
Grid :	Ca/Ca	SOCI:	No
WEIGHT AND STD. DIMENSIONS		Ventilation:	Independent
Battery Weight (kg):	38.70	Filter:	No
Volume acid (l):	0.00	Lateral Plug:	No
Length (mm):	286	PLUGS	
Width (mm):	269	Type:	6 x M18 Valve GREY MEDIUM
Height (mm):	230	HANDLES	
		Type:	2 x Rope (Rigid holder) BLACK
		OTHERS	
		Degassing Tube:	No
		Gel	